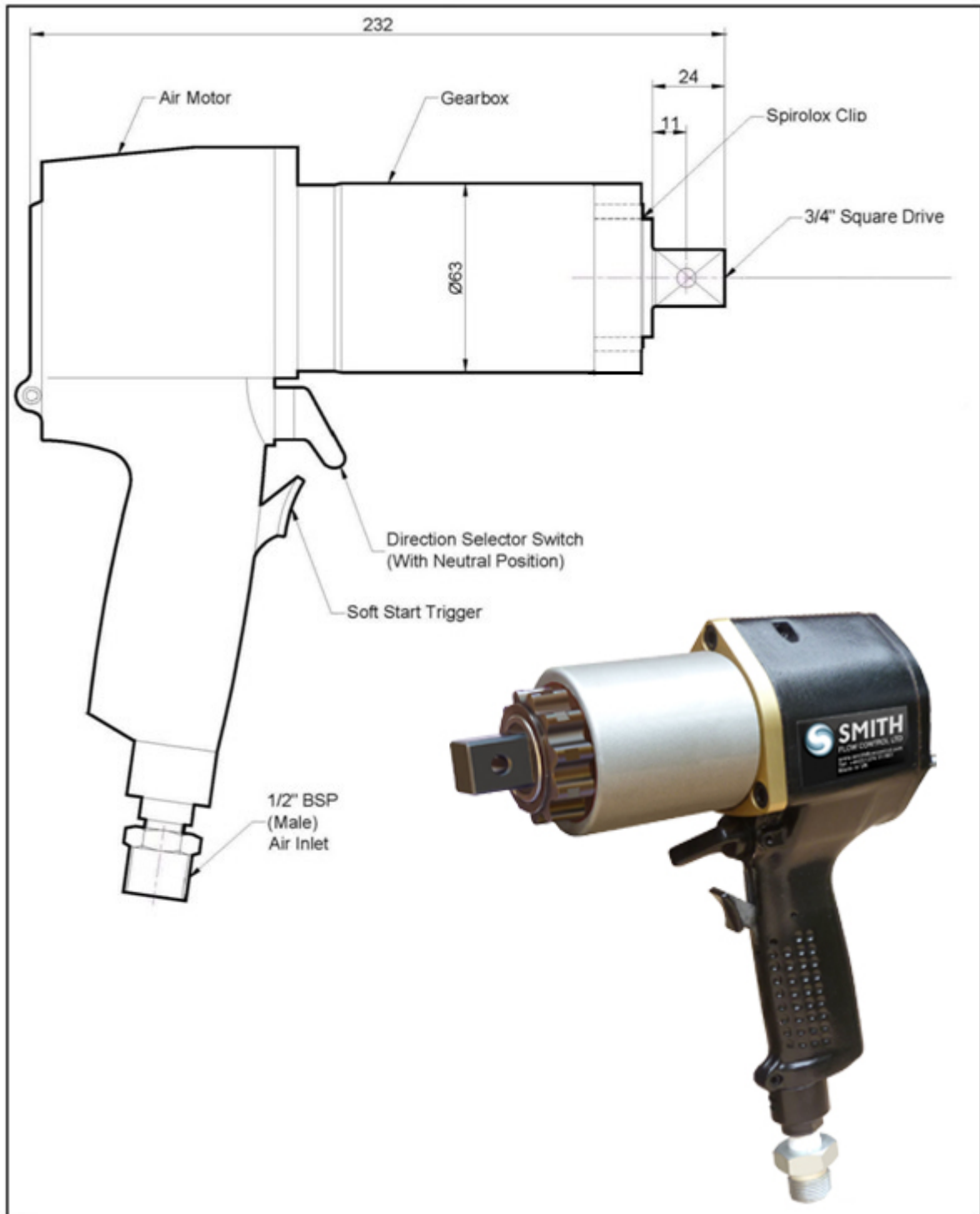


SFC ED 10 Pneumatic Torque Tool – Technical Data



DESCRIPTION

The SFC-ED 10L Pneumatic Torque Tool is a hand held, non-impacting air driven power tool designed to quickly and accurately apply torque and safely manage valve operations.

Torque is controlled by regulating air pressure via a Filter Regulator Lubro Pack. Corresponding pressure settings and torques are determined using a Calibration Certificate.

The SFC-ED 10 must always be operated with the following:-

- Clean dry air supply with a minimum flow of 19 litres/second (40 cfm)
- Filter Regulator Lubro Pack (with filter regulator, lubricator)
- Minimum Hose Bore 1/2" (12mm)
- Reaction Kit

SPECIFICATION

Output Square Drive (Male):	3/4" (19.05mm)
Direction:	Forward & Reverse
Torque Accuracy:	+/- 5%
Minimum Output Torque:	150 Nm (110 lbf.ft)
Maximum Output Torque:	950 Nm (700 lbf.ft)
Speed:	30 rpm (Single)
Air Consumption:	19 litres/second (40 cfm)
Maximum Air Pressure:	7.2 bar (105 psi)
Noise:	Less than 85 dB(A)
Vibration:	Vibration level at handle does not exceed 2.5m/sec (Low)
Tool Weight:	3.5 Kg (7.72 lbs)

ACCESSORIES AVAILABLE

The following accessories are available upon request and can be custom made to suit requirements.

Please contact Smith Flow Control Limited for more information:-

- Reaction Kit
- Offset Gearbox
- Custom Lubro Units

